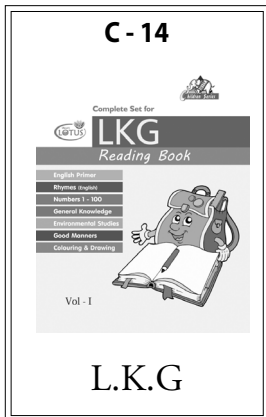


Name : Section : Roll No :



UNIT TEST - II

GENERAL KNOWLEDGE

MARKS **25**

Class : L.K.G

Time : 1 Hour

Syllabus

At Home (To) People who help us

School Stamp

I. Answer the following questions. (5M)

1. Where we have a bath and clean ourselves ?

Ans.

2. What do you like about the play ground ?

Ans.

3. Who teaches us lessons in the school ?

Ans.

4. Who is blow out fire ?

Ans.

5. Who sells fruits and vegetables ?

Ans.

II. Write the missing letters. (5M)

1. d _ sk

2. ch _ l _




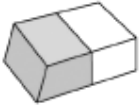

3. B _ ok _

4. P _ nci _

5. C _ air

III. Matching.

(5M)

- | | | |
|----|--|--------------|
| 1. |  | Eraser |
| 2. |  | Duster |
| 3. |  | Ruler |
| 4. |  | School bag |
| 5. |  | Water bottle |

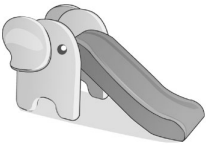
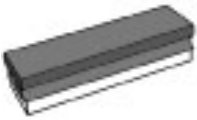



IV. Write mis-spelt words.

(5M)

- | | |
|-----------------|----------------|
| 1. People _____ | 2. Palce _____ |
| 3. eBnch _____ | 4. hCair _____ |
| 5. OBkos _____ | |

V. Identify the picture and name them.

(5M)

- | | | |
|---|---|---|
| 1. 
_____ | 2. 
_____ | 3. 
_____ |
| 4. 
_____ | 5. 
_____ | |

☆☆☆