

Name :	Section :	Roll No.
---------------	------------------	-----------------

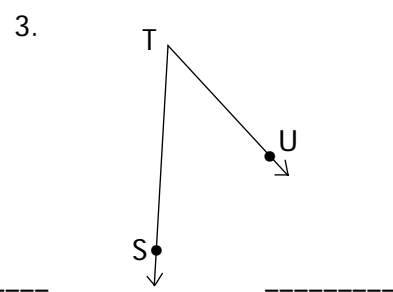
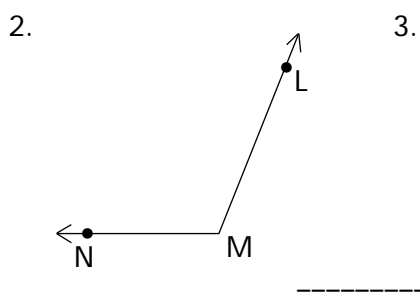
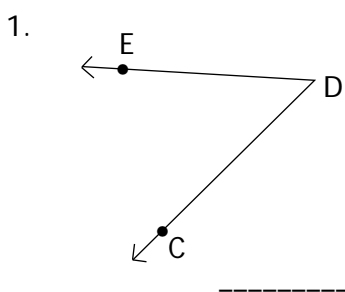
I. Solve the given word problems. [3 x 2 = 6 M]

1. Jenil jogs around a triangular park which measures 425 metres, 350 metres and 435 metres. How far will he jog if he goes around the park once ?
2. A rectangular room measures 10 m by 5 m. What is the area of this room ?
3. The perimeter of an equilateral triangle is 6 centimetres. What is the length of a side ?

II. Complete the list and describe the pattern. [5 x 1 = 5 M]

1. 60, 75, --, --, 120, 135, What is the pattern ? _____
2. 5, 20, --, --, 65, 80, What is the pattern ? _____
3. --, --, 75, 95, 115, 135, What is the pattern ? _____
4. 45, 55, --, --, 85, 95, What is the pattern ? _____
5. 10, 15, --, --, 30, 35, What is the pattern ? _____

III. Name the vertex and the side of each angle. [3 x 1 = 3 M]

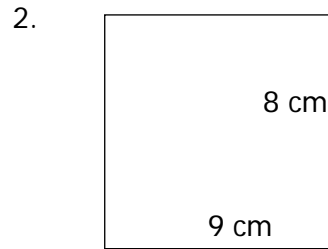
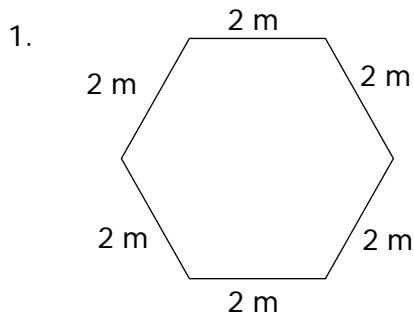


IV. Given angles a, b, c, d, e and f with measures. [3 x 1 = 3 M]

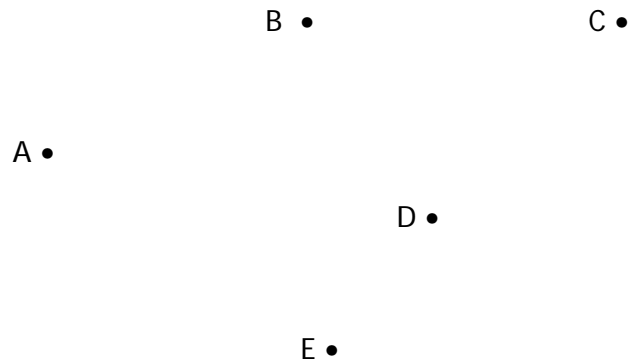
a = 21°, b = 90.1°, c = 90°, d = 134.2°, e = 69°, f = 45.8°

1. Which of these angles are acute ? _____
2. Which of these angles are obtuse ? _____
3. Which of these angles are right ? _____

V. Find the perimeter of each shape by adding the lengths of each side. Be sure to include the units in your answer. [2 x 1 = 2 M]



VI. Given below are points A, B, C, D, E. Join them to make lines. [3 M]



VII. Find the area of square with the following sides. [3 x 1 = 3 M]

	Side	Area
1.	3 cm	
2.	7 cm	
3.	25 cm	

★★★★★