

Name : Section : Roll No :



HALF-YEARLY EXAMINATIONS

GOOD MANNERS

MARKS **50**

Class : L.K.G

Time : 2½ Hours

Syllabus

Five Golden Words (To) Good Manners at School
(P – No : 116 – 129)

School Stamp

I. Answer the following questions.

(5 × 2 = 10M)

1. Can you help me father with my homework ?

Ans.

2. Mother, can I have some bread and butter ?

Ans.

3. Write 5 golden words.

Ans.

4. How to speak with your teacher ?

Ans.

5. We use the word to ask for permission ?

Ans.

II. Match the words to the correct actions.

(6M)

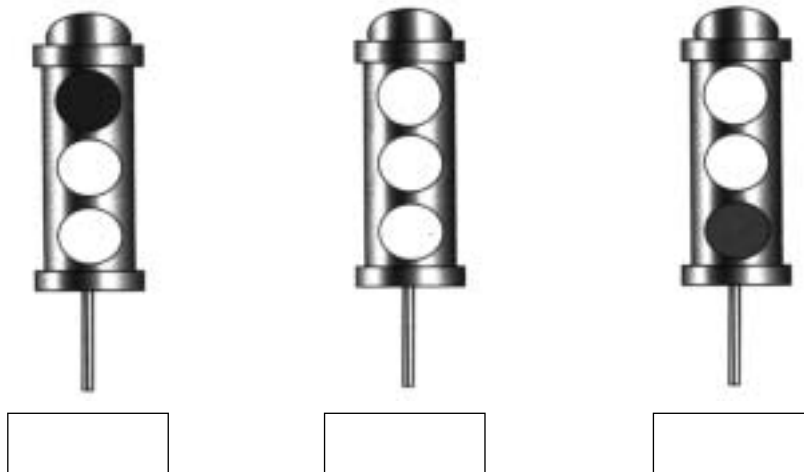


III. Write mis-spelt words.

(7 × 2 = 14M)

- | | | | |
|--------------|-------|-----------|-------|
| 1. Ecxseu em | _____ | 2. Pelaes | _____ |
| 3. rWod | _____ | 4. Ploite | _____ |
| 5. Srory | _____ | 6. takl | _____ |
| 7. Brtohre | _____ | | |

IV. The traffic lights tell us when to stop and when to walk. Match them to their meaning correctly. (6M)



V. Write the missing letters.

(10M)

1. P _ _ re _ _ ts

2. T _ _ lk

3. T _ _ ys

4. Af _ _ _ r

5. T _ _ b _ _ e

6. F _ _ mi _ _ y

7. M _ _ al

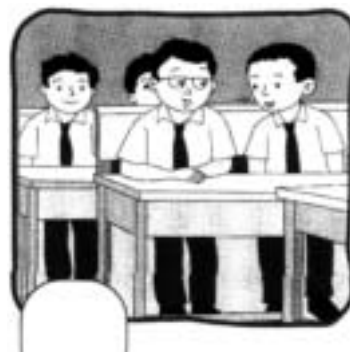
8. P _ _ rs _ _ n

9. Li _ _ e

10. S _ _ h _ _ ol

VI. Tick (✓) the good habits and cross (×) the bad habits.

(4M)



☆☆☆