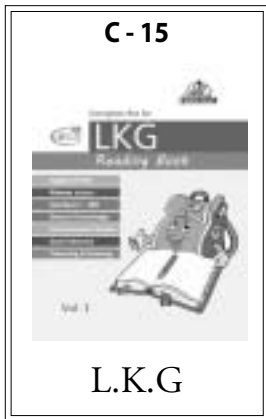


Name : ..... Section : ..... Roll No : .....



# HALF-YEARLY EXAMINATIONS

**GOOD MANNERS**

MARKS  **50**

**Class : L.K.G**

**Time : 2½ Hours**

**Syllabus**

Five Golden Words (To) Good Manners at School  
(P – No : 116 – 129)

*School Stamp*

**I. Answer the following questions.**

**(5 × 2 = 10M)**

1. Can you help me father with my homework ?

Ans.

2. Mother, can I have some bread and butter ?

Ans.

3. Write 5 golden words.

Ans.

4. How to speak with your teacher ?

Ans.

5. We use the word to ask for permission ?

Ans.

II. Match the words to the correct actions.

(6M)

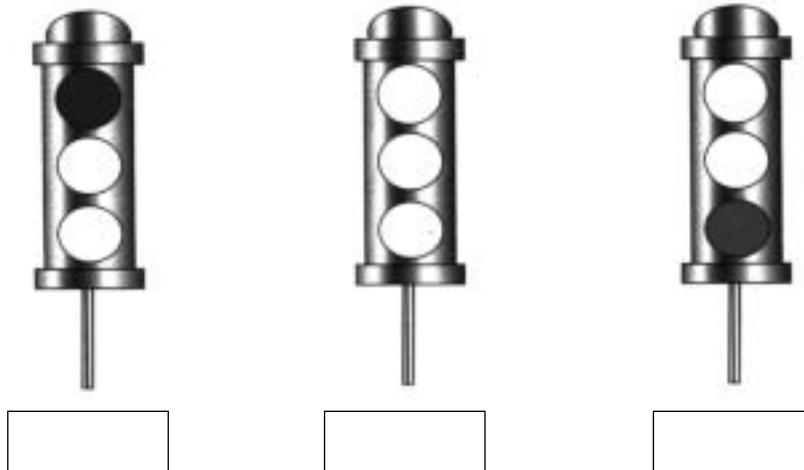


III. Write mis-spelt words.

(7 × 2 = 14M)

- |              |       |           |       |
|--------------|-------|-----------|-------|
| 1. Ecxseu em | _____ | 2. Pelaes | _____ |
| 3. rWod      | _____ | 4. Ploite | _____ |
| 5. Srory     | _____ | 6. takl   | _____ |
| 7. Brtohre   | _____ |           |       |

IV. The traffic lights tell us when to stop and when to walk. Match them to their meaning correctly. (6M)



V. Write the missing letters.

(10M)

1. P \_ \_ re \_ \_ ts

2. T \_ \_ lk

3. T \_ \_ ys

4. Af \_ \_ \_ r

5. T \_ \_ b \_ \_ e

6. F \_ \_ mi \_ \_ y

7. M \_ \_ al

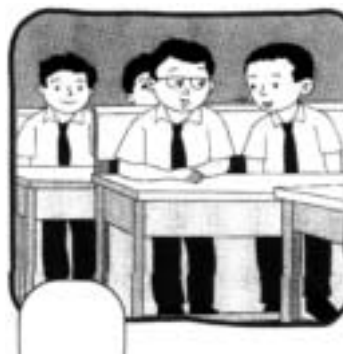
8. P \_ \_ rs \_ \_ n

9. Li \_ \_ e

10. S \_ \_ h \_ \_ ol

VI. Tick ( ✓ ) the good habits and cross ( × ) the bad habits.

(4M)



☆☆☆